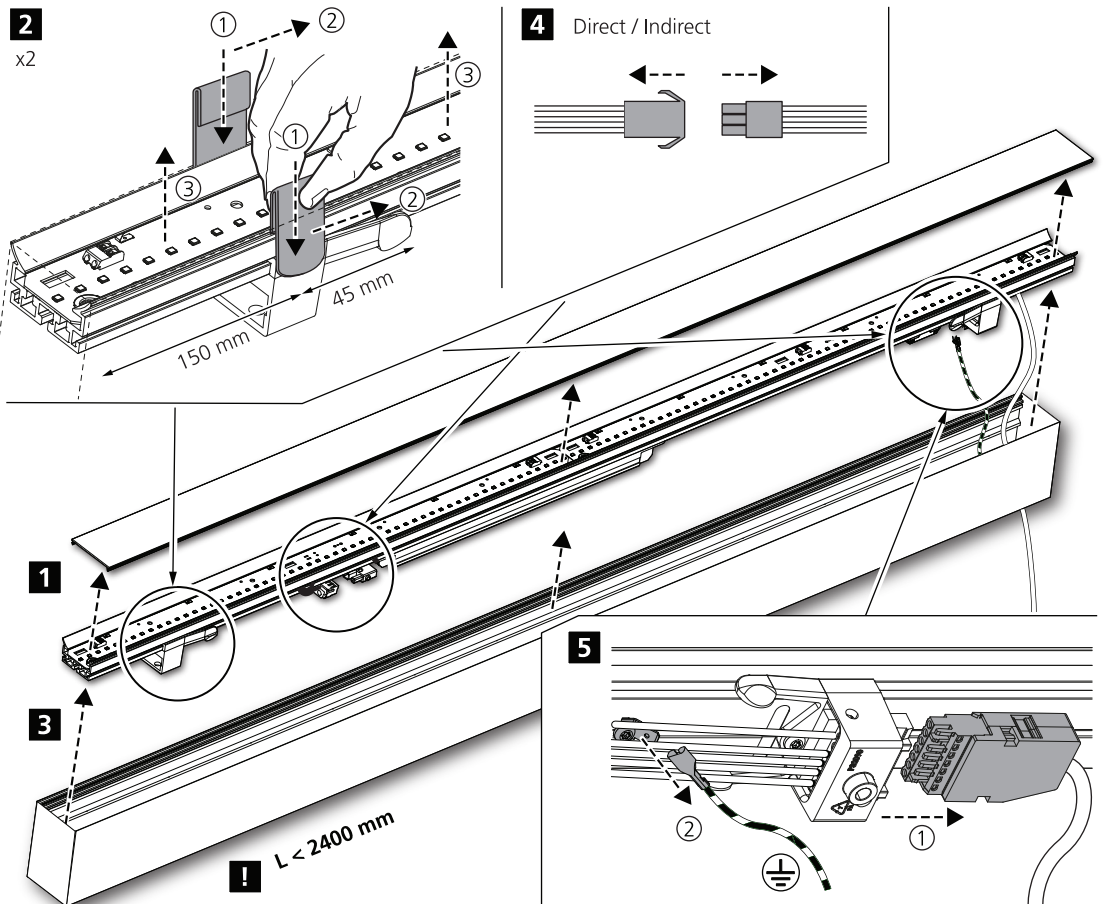
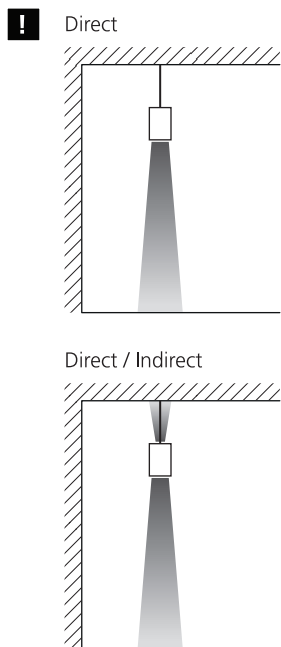
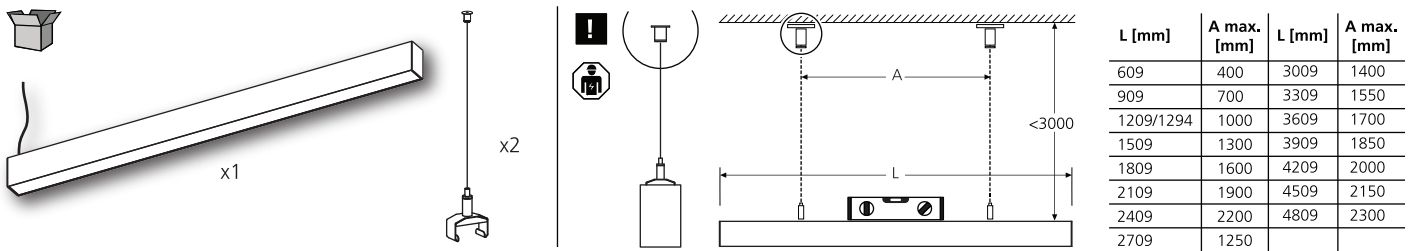
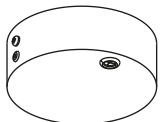
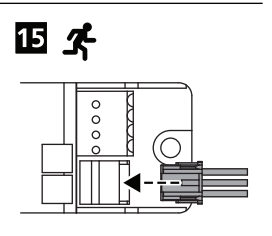
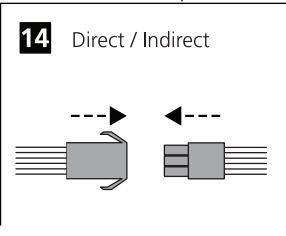
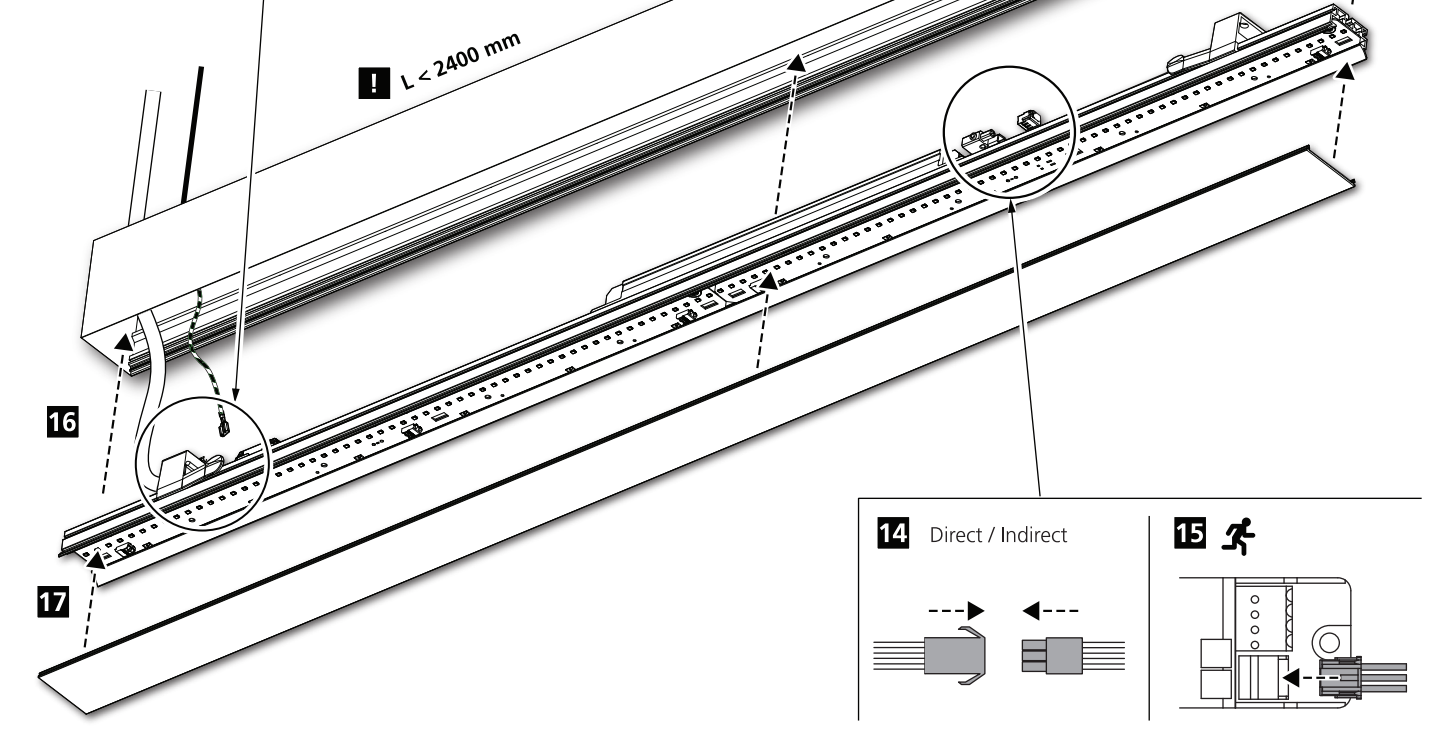
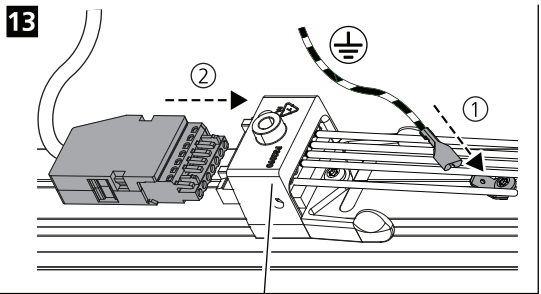
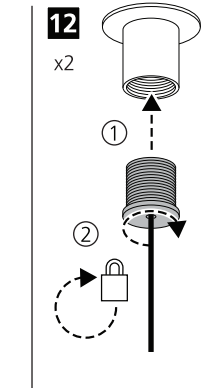
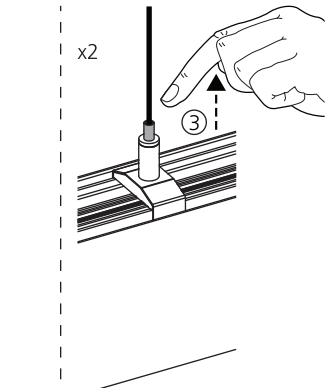
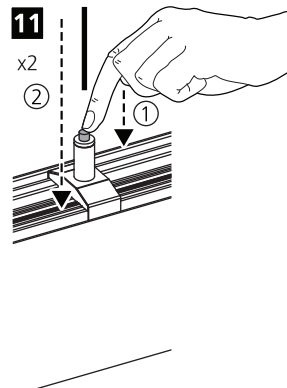
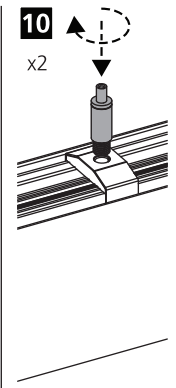
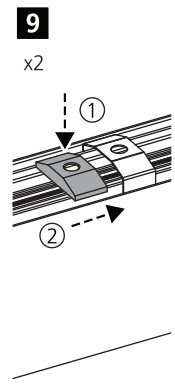
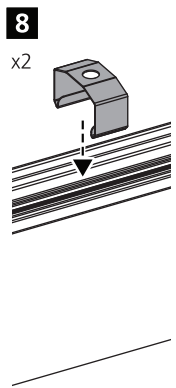
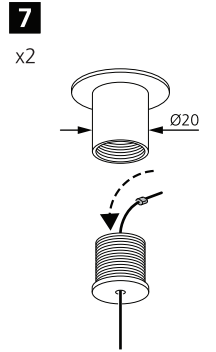
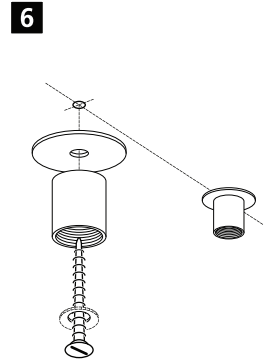
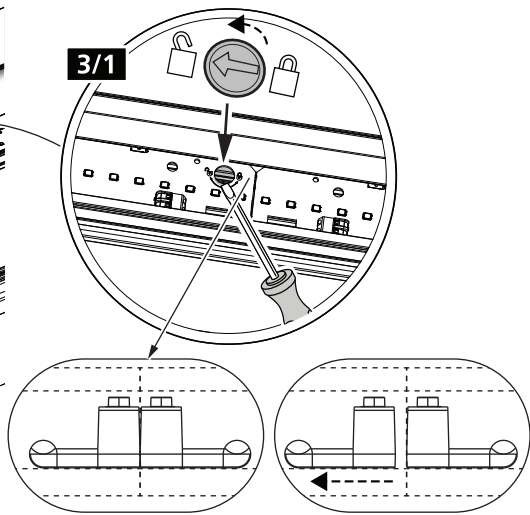
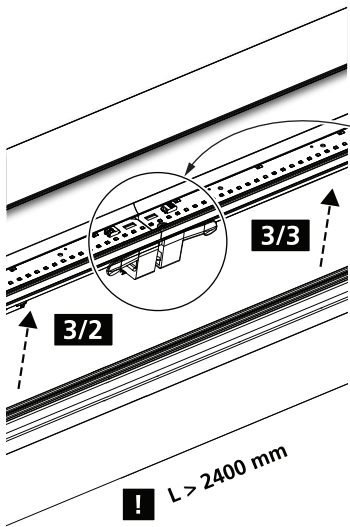


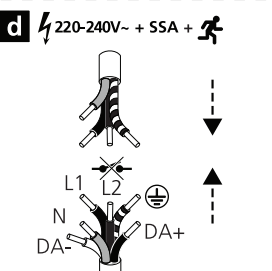
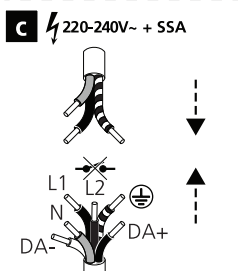
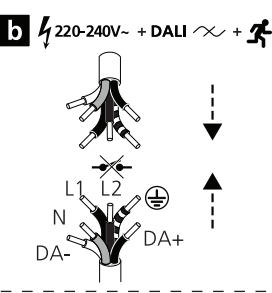
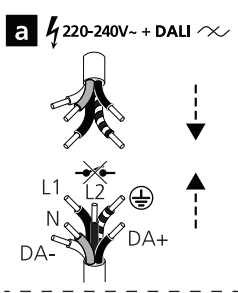
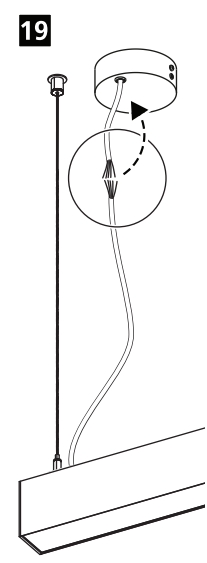
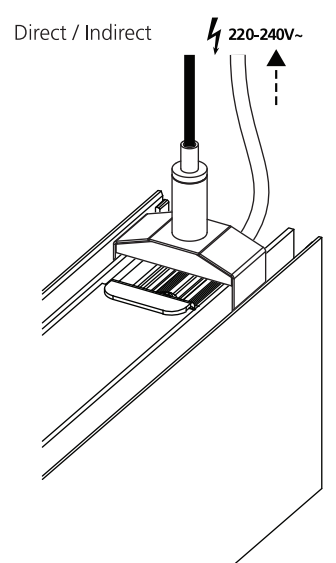
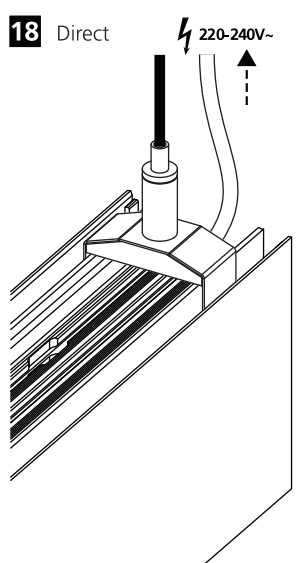
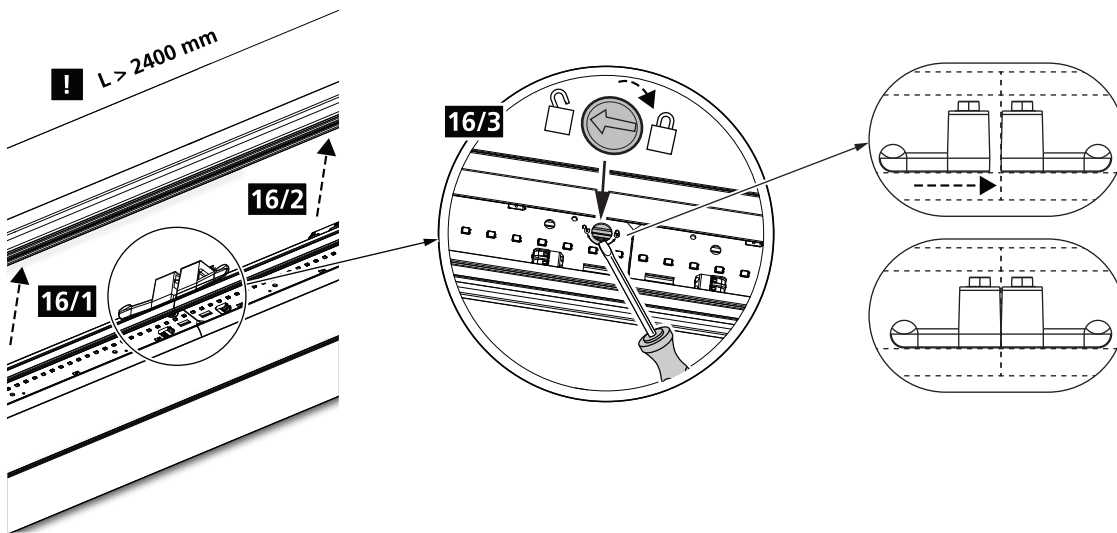
Suspended mount



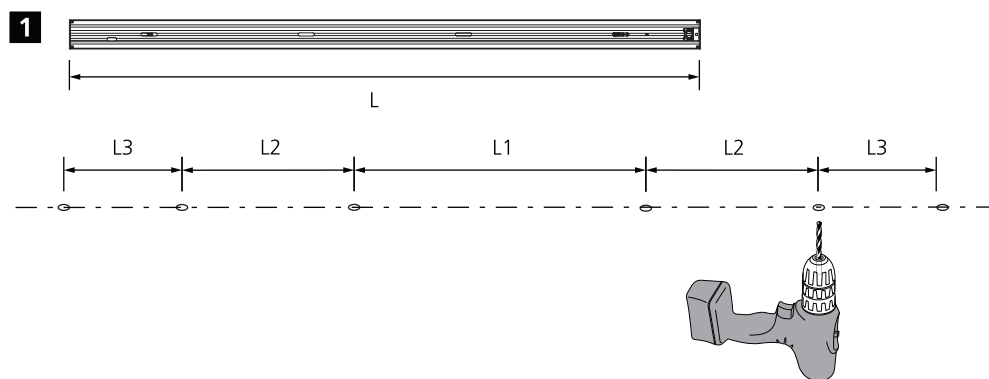
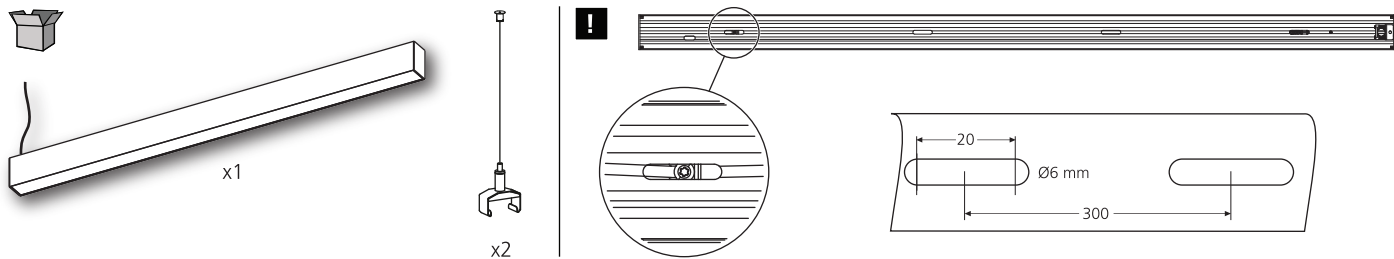
2064663, 2064664



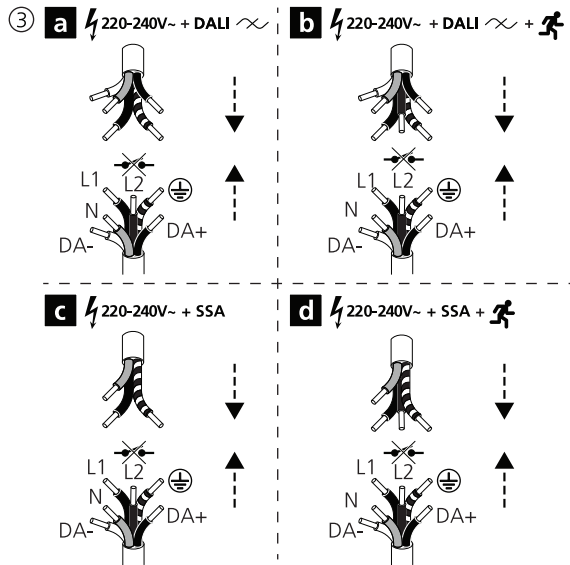
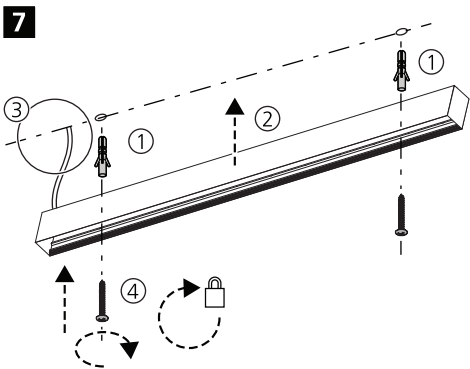
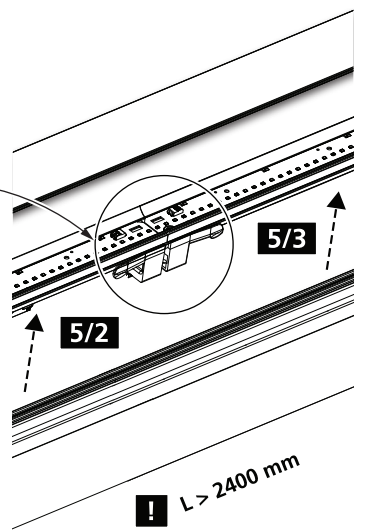
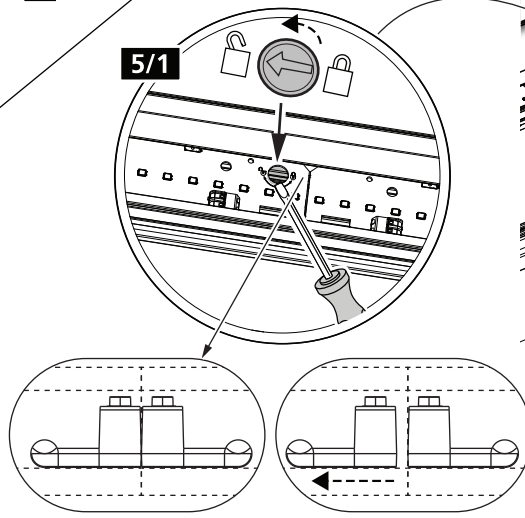
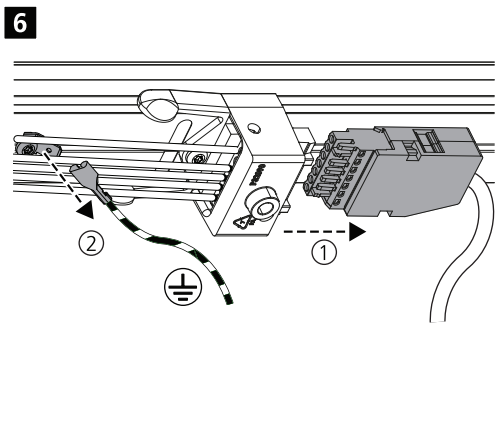
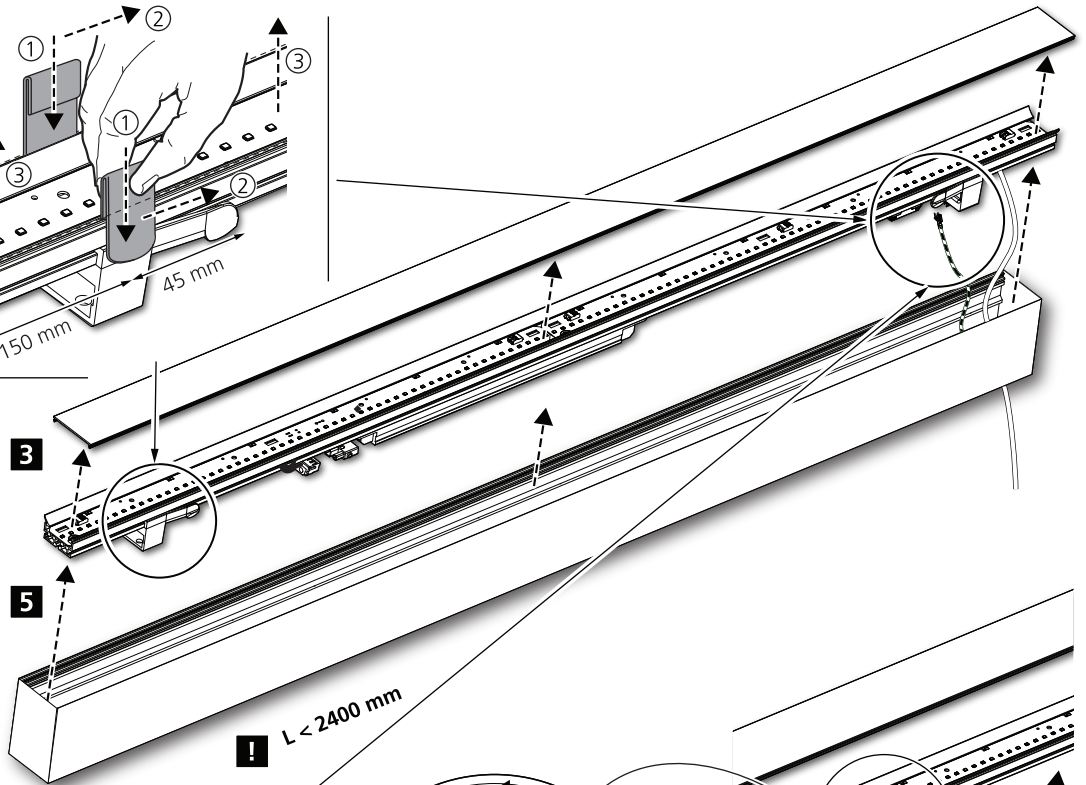
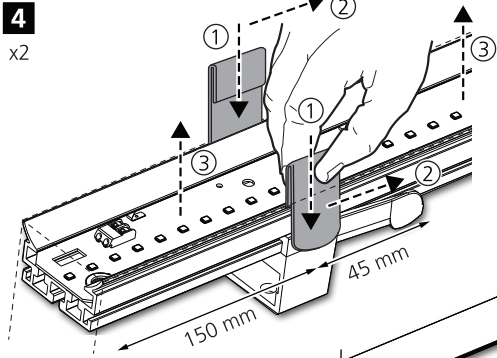
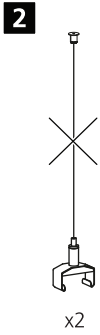


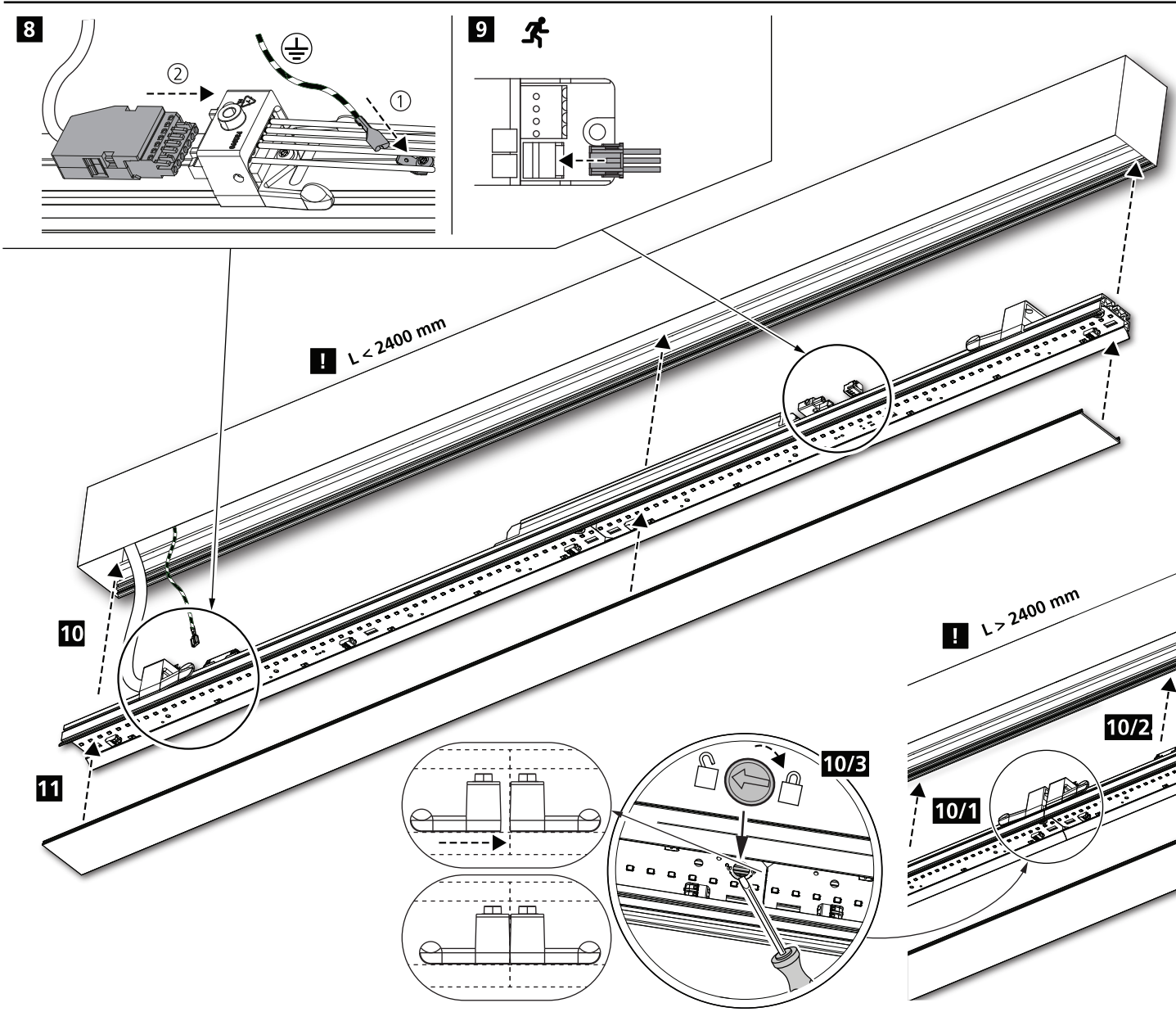


Surface mount

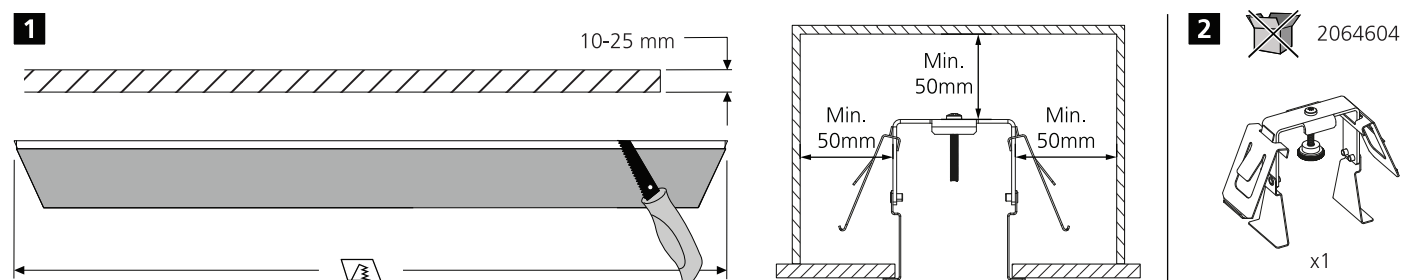
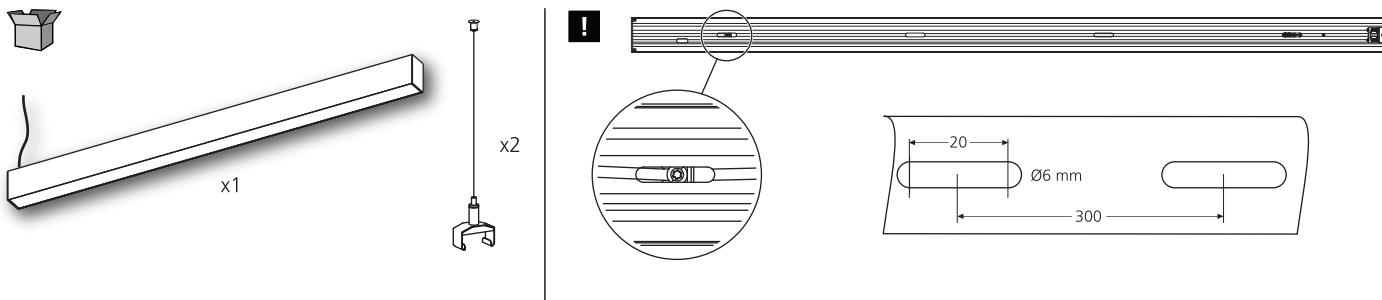


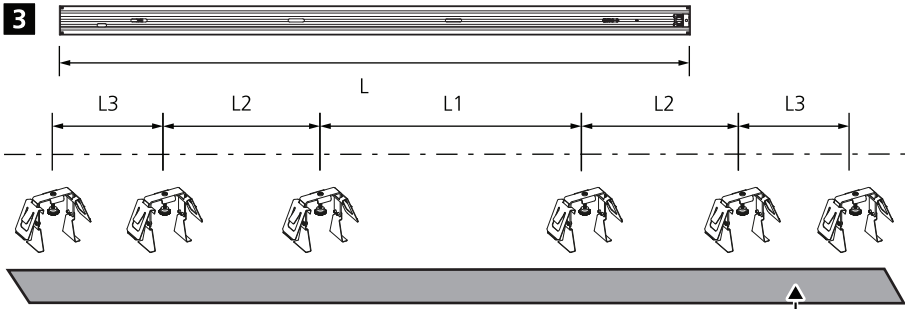
L [mm]	L1 [mm]	L2 [mm]	L3 [mm]	⌀
609	300	-	-	x2
909	600	-	-	x2
1209/1294	900	-	-	x2
1509	1200	-	-	x2
1809	900	300	-	x4
2109	1200	300	-	x4
2409	900	600	-	x4
2709	1200	600	-	x4
3009	900	900	-	x4
3309	1200	900	-	x4
3609	900	1200	-	x4
3909	1200	1200	-	x4
4209	900	900	600	x6
4509	1200	900	600	x6
4809	900	900	900	x6





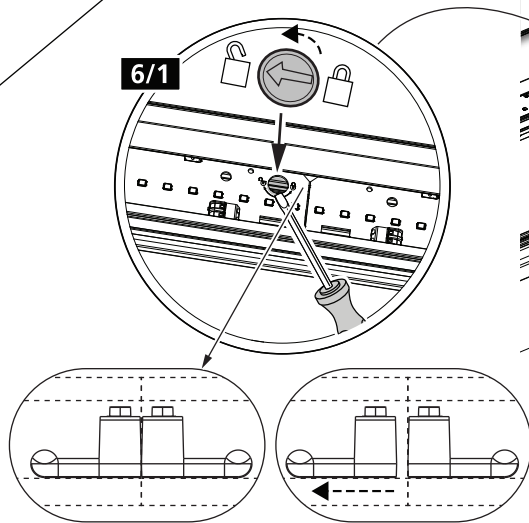
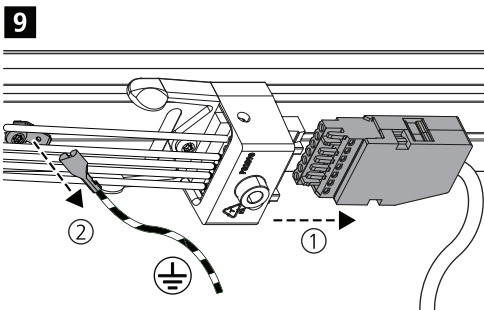
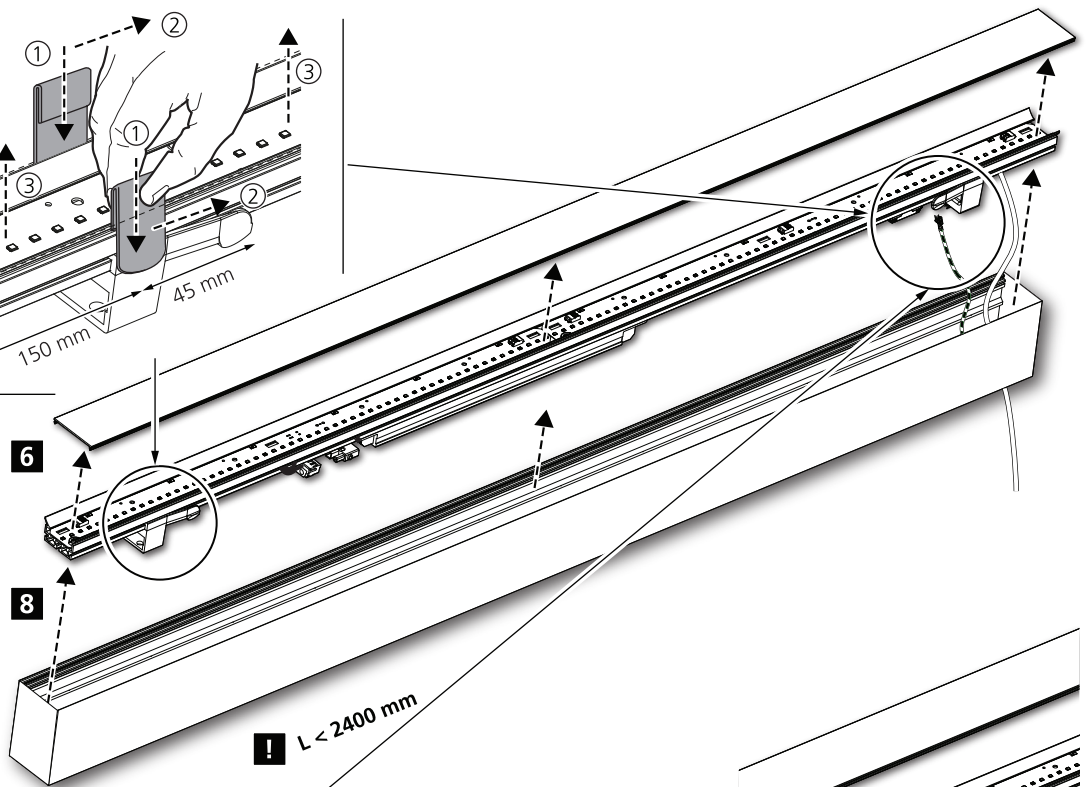
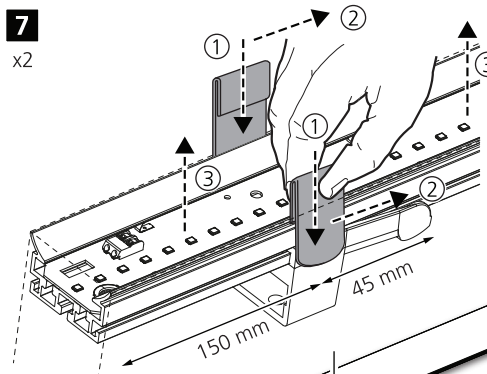
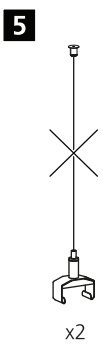
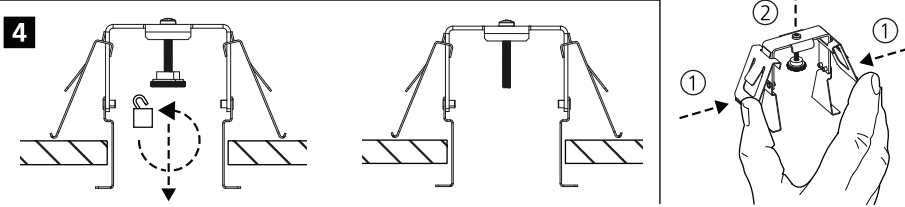




**Recessed mount**

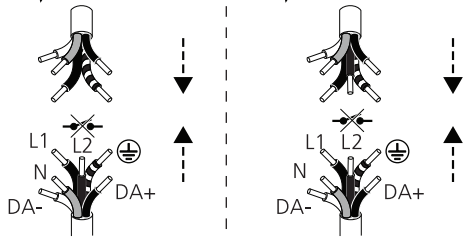




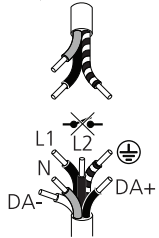
L [mm]	L1 [mm]	L2 [mm]	L3 [mm]		 [mm]
609	300	-	-	x2	611x60
909	600	-	-	x2	911x60
1209/1294	900	-	-	x2	1211/1296x60
1509	1200	-	-	x2	1511x60
1809	900	300	-	x4	1811x60
2109	1200	300	-	x4	2111x60
2409	900	600	-	x4	2411x60
2709	1200	600	-	x4	2711x60
3009	900	900	-	x4	3011x60
3309	1200	900	-	x4	3311x60
3609	900	1200	-	x4	3611x60
3909	1200	1200	-	x4	3911x60
4209	900	900	600	x6	4211x60
4509	1200	900	600	x6	4511x60
4809	900	900	900	x6	4811x60



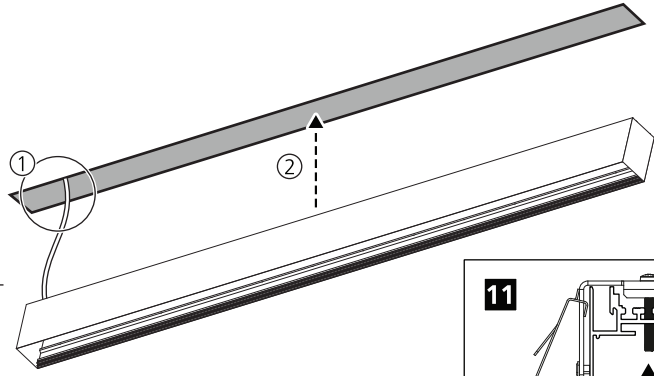
**10** ① **a** ⚡ 220-240V~ + DALI  | **b** ⚡ 220-240V~ + DALI  + ⚡



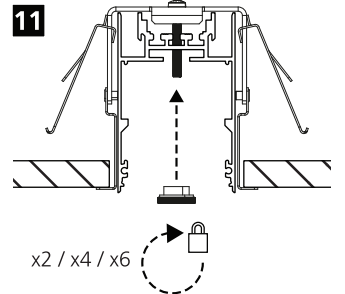
**c** ⚡ 220-240V~ + SSA



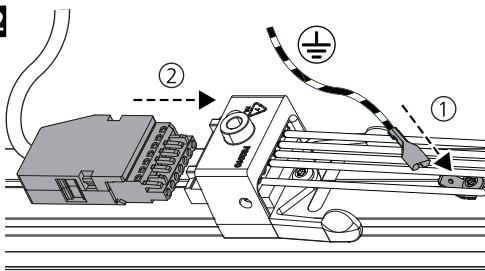
**d** ⚡ 220-240V~ + SSA + ⚡



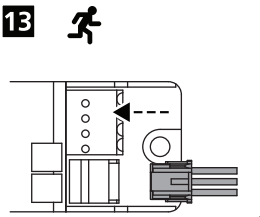
**11**



**12**



**13** ⚡



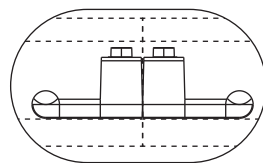
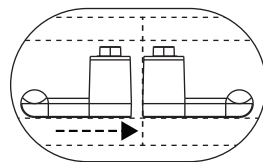
**!** L < 2400 mm

**!** L > 2400 mm

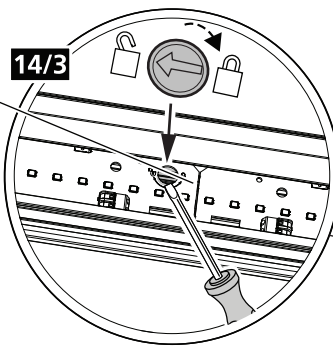
**14**



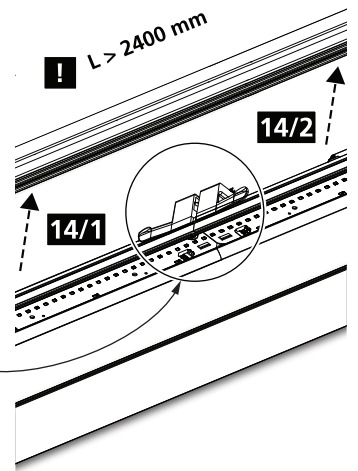
**15**



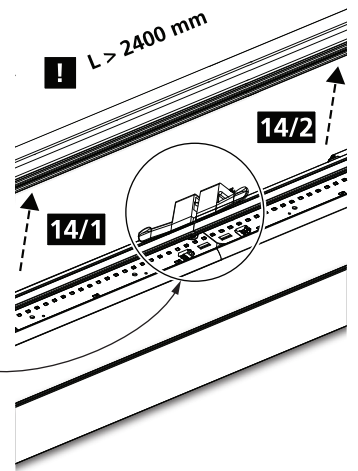
**14/3**



**14/2**



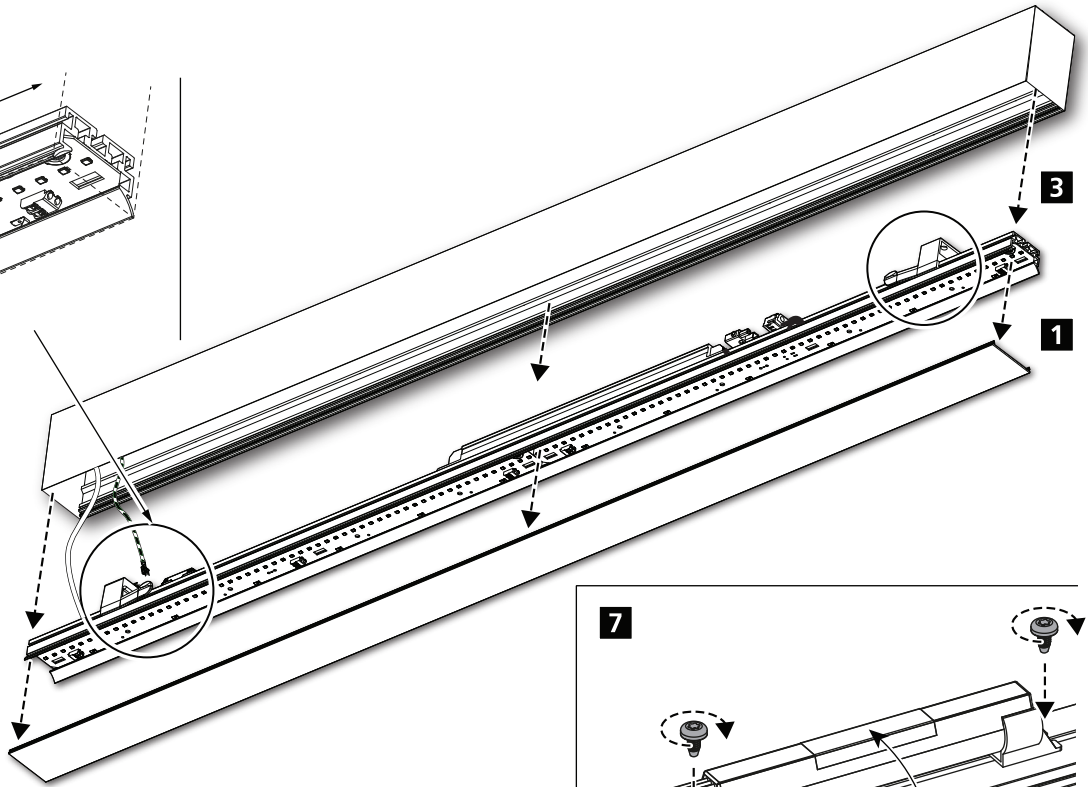
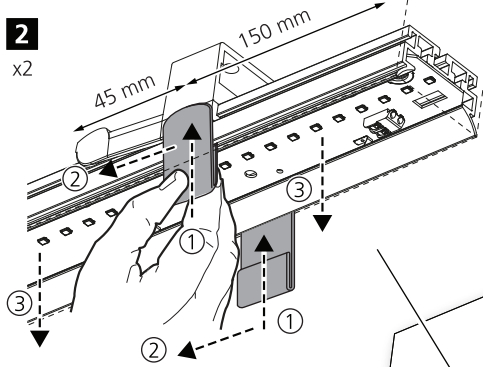
**14/1**



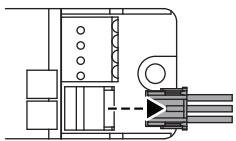


**2**

x2

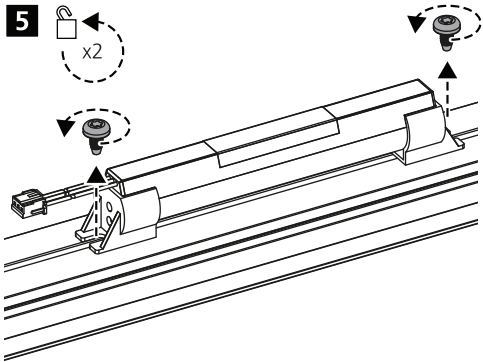


**4**

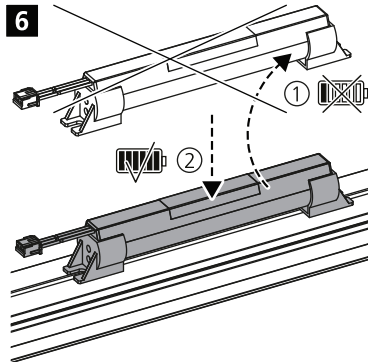


**5**

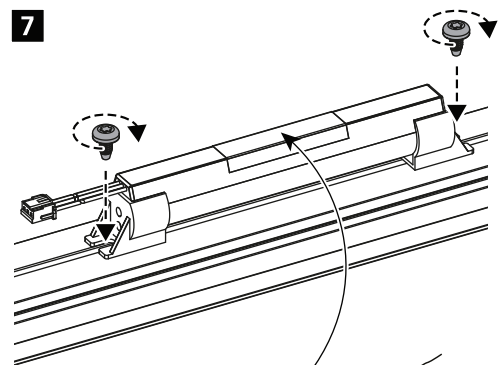
x2



**6**



**7**



G	WIKALY Date of Manufacture	<b>TRIDONIC</b>			Date of installation
		Fabergasse 15 6951 Dornbirn / Austria Accu-LiFePO4 3.0Ah 2A CON Art.No. 29010218 Lithium Iron Phosphate Battery <b>2 Cell 3.2V</b> <b>3.0Ah 9.6Wh</b> 1IFR1936-4 Made in China Max.continuous cell case temp refer to control gear data sheet <b>Caution! May explode if disposed in fire</b> Do not short terminals.			

**8**

